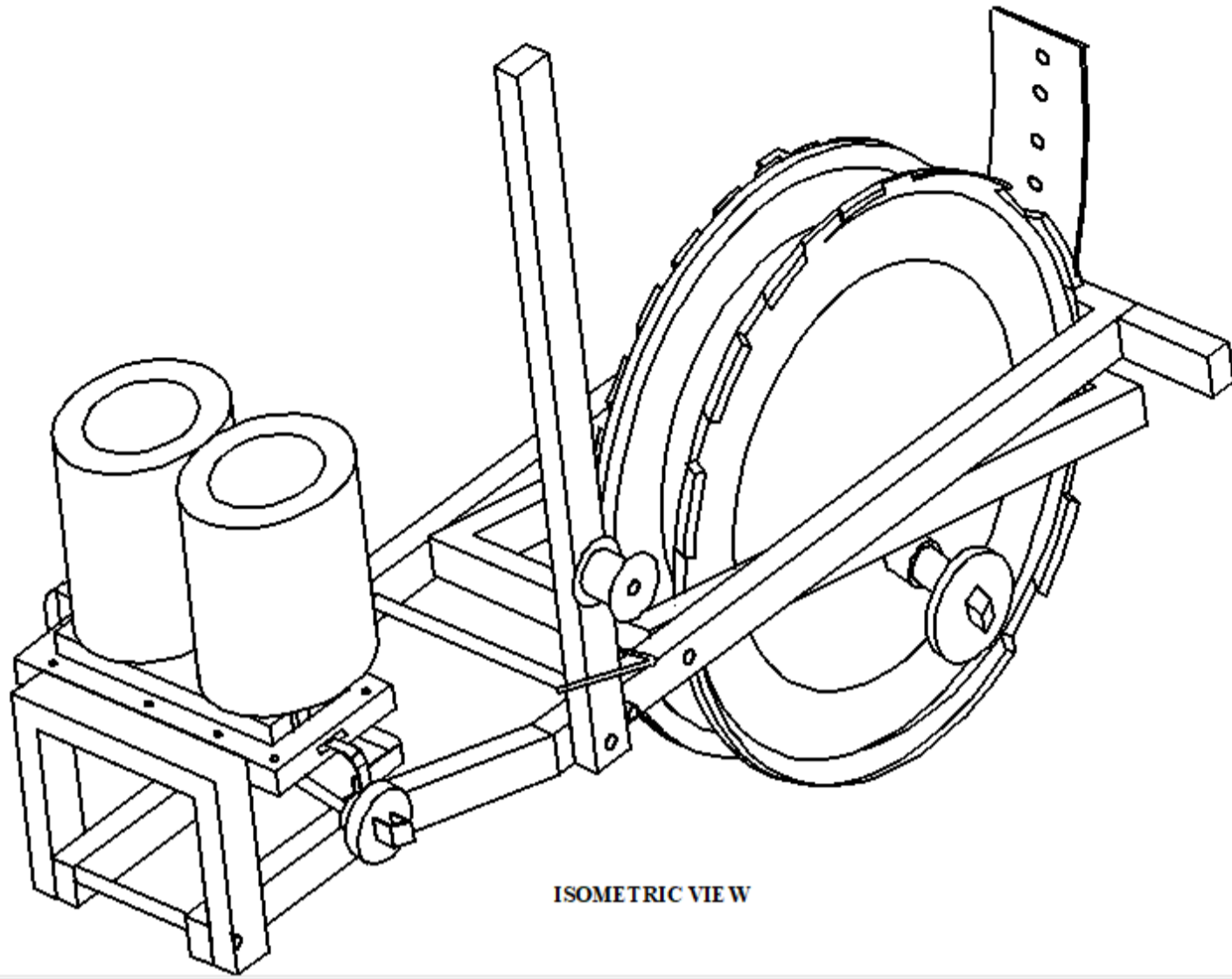
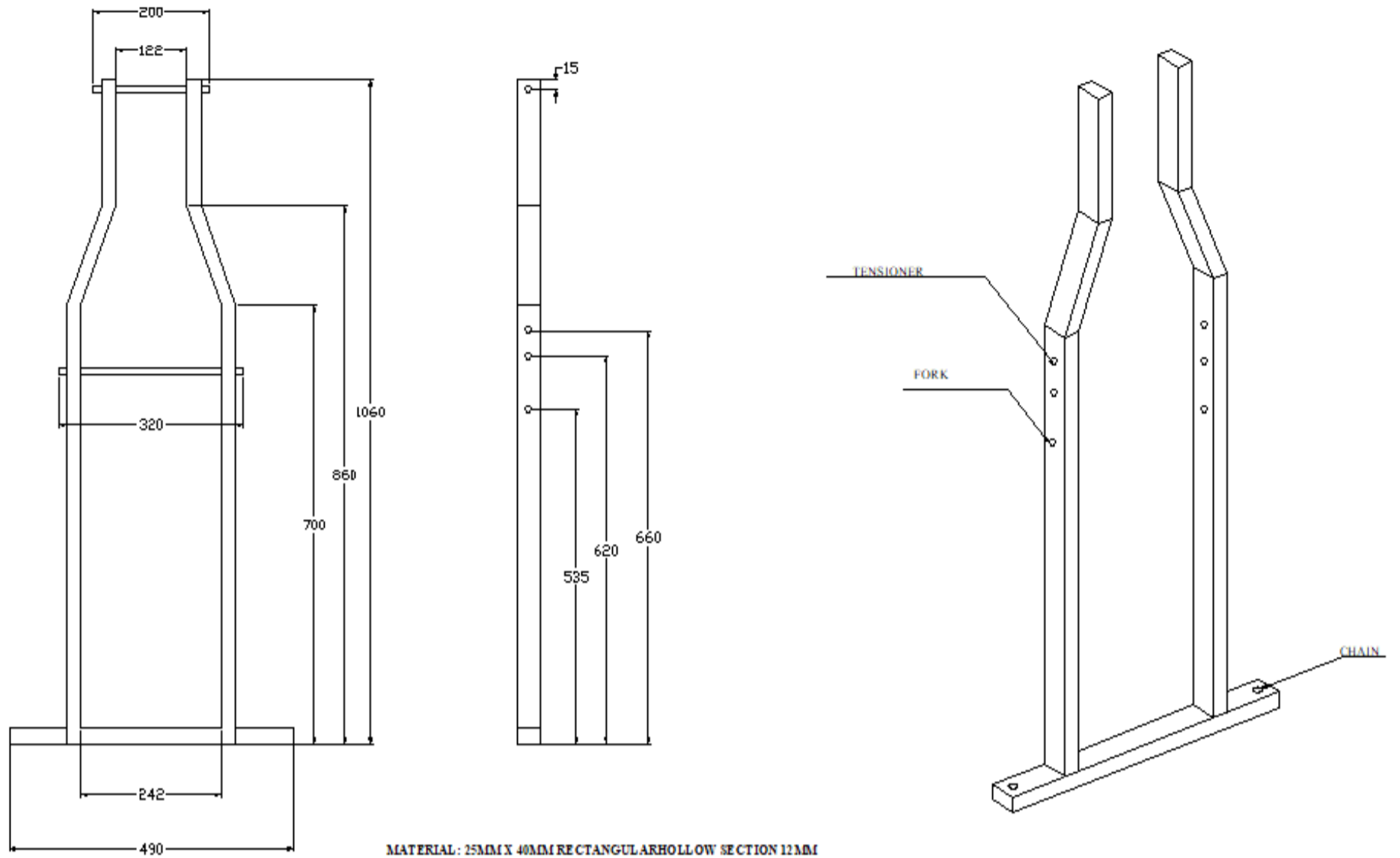


MARE SHA 2.0
UPDATED MAY 2022
ALL DIMENSION IN MM OTHERWISE NOTED

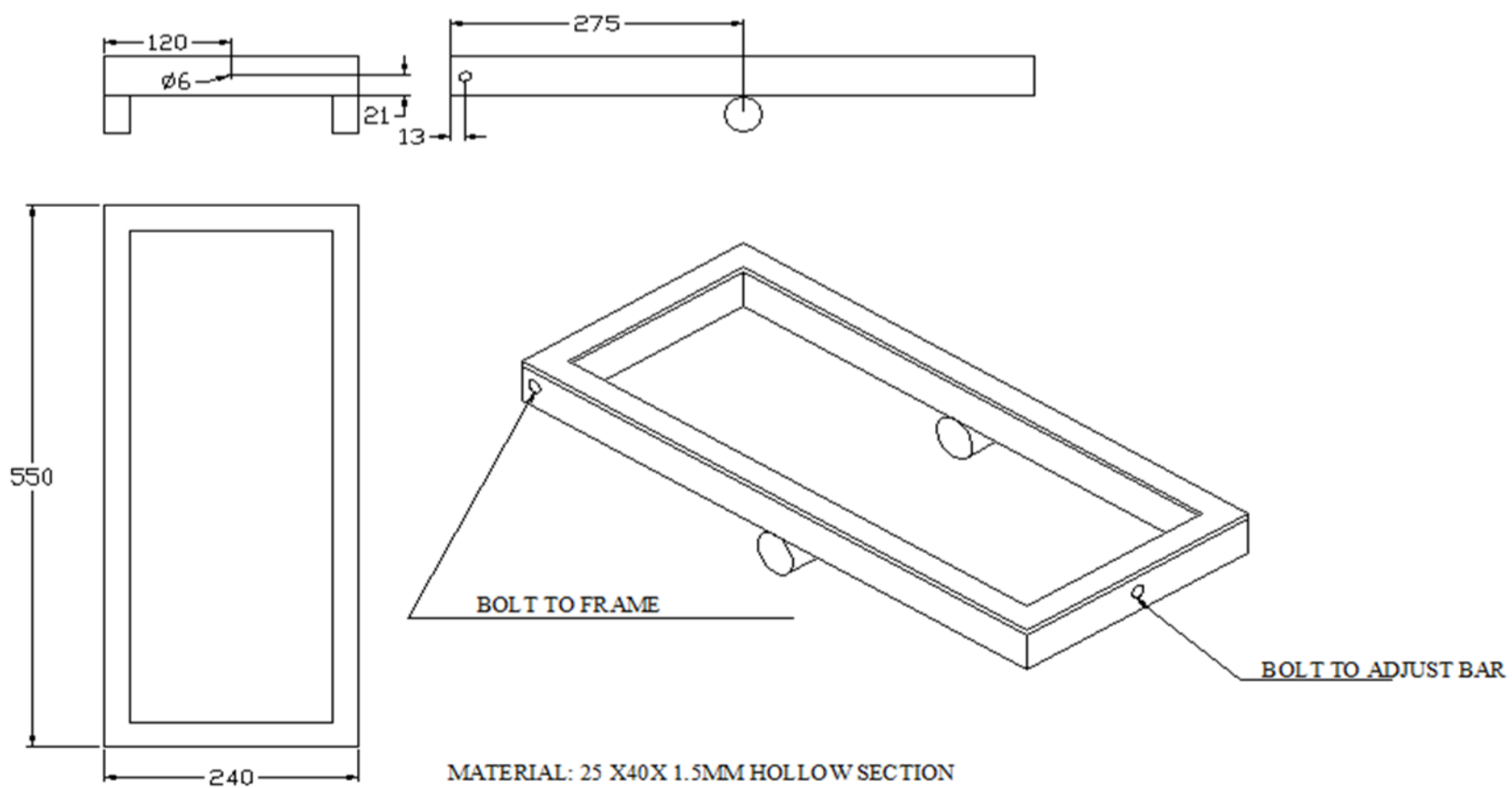


FRAME



MATERIAL: 25MM X 40MM RECTANGULAR HOLLOW SECTION 12MM ROUND BAR
 FIRST PROTOTYPE USED HARDENED STEEL FOR THE 320MM ROUND BAR AND MILD STEEL FOR THE 200MM ROUNDS BAR.
 ENDS CAN BE CLOSED OFF WITH BOLTS, NUTS, SHEET, METAL, ETC.

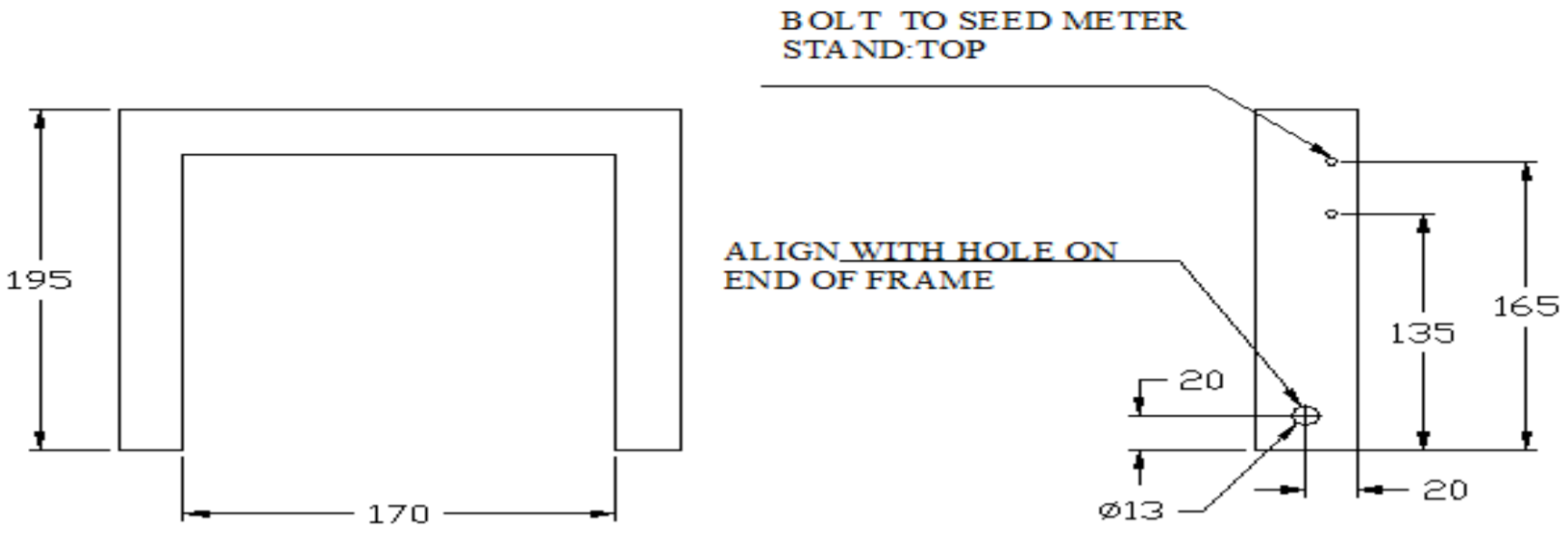
FORK



MATERIAL: 25 X40X 1.5MM HOLLOW SECTION

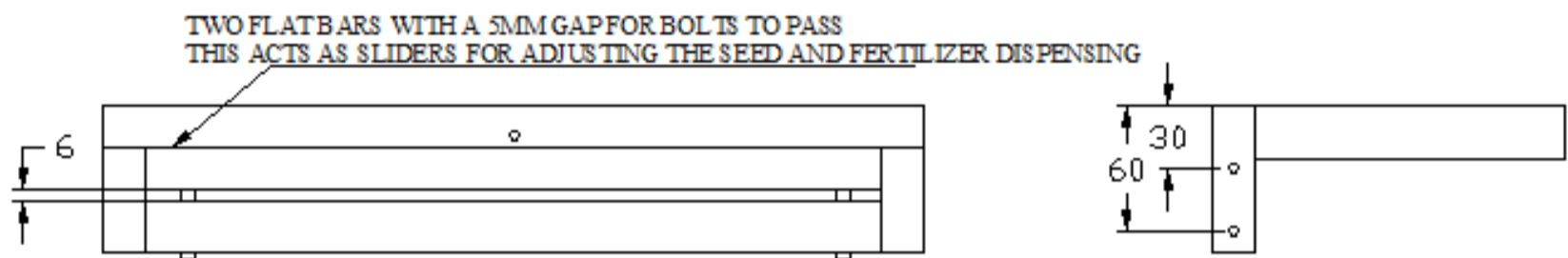
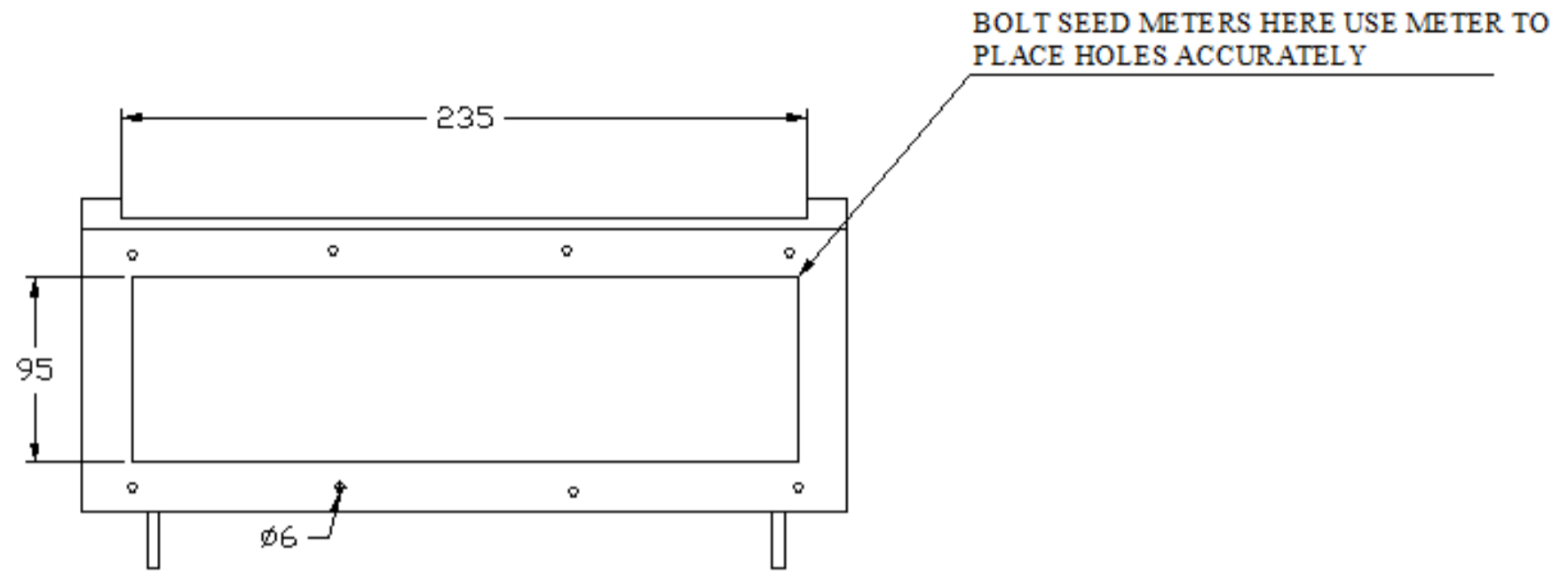
IN FIRST PROTOTYPE, WHEEL SHAFT WAS MOUNTED THROUGH THE HOLLOW SECTION, WHICH IS ACCEPTABLE BUT MORE LABOR-INTENSIVE

SEED METER STAND : UPRIGHT



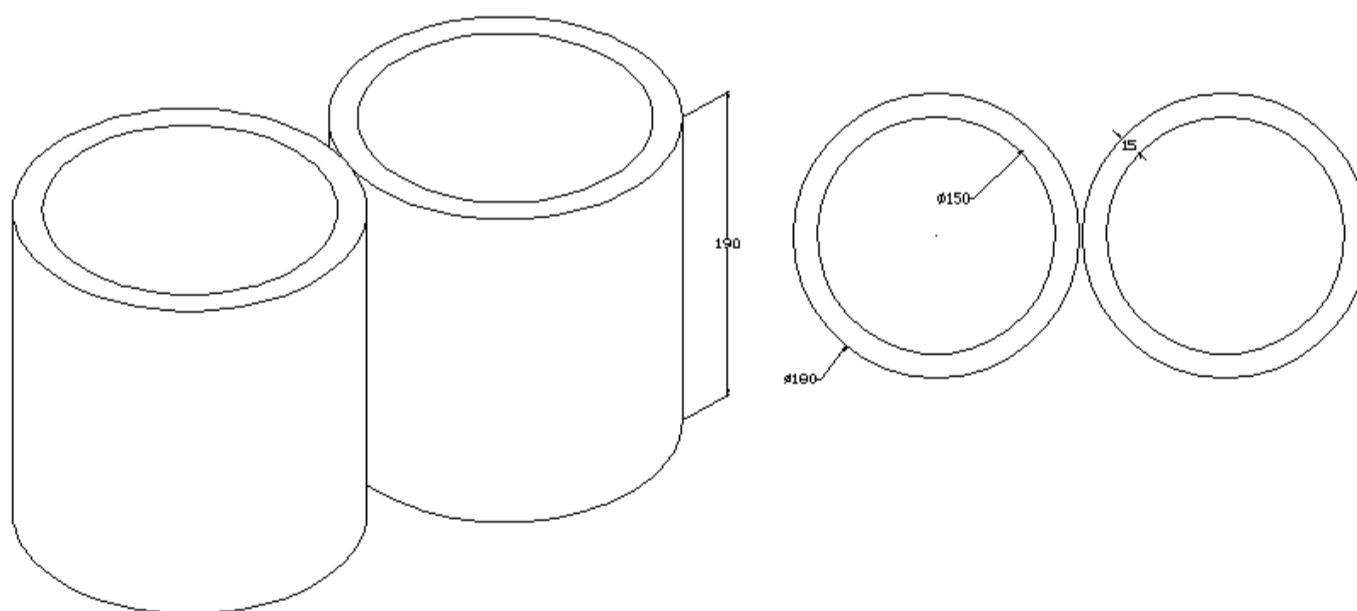
MATERIAL: 25X40X1.5MM HALLOW SECTION

SEED METER STAND : TOP



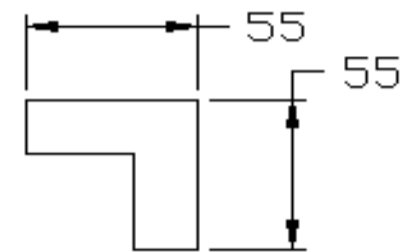
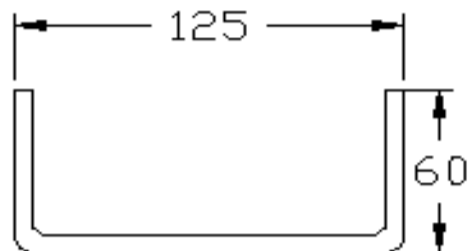
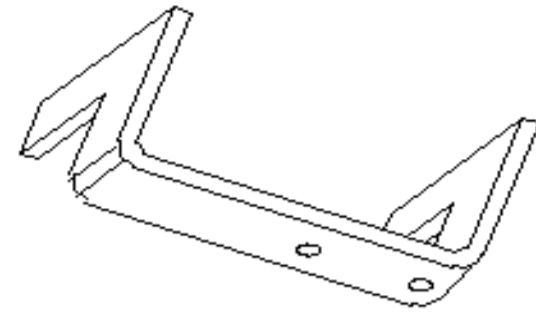
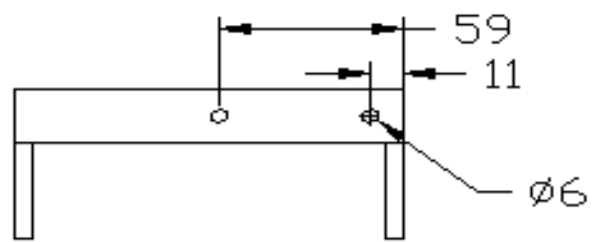
MATERIAL: 25 X25 X 1.2MM HOLLOW SECTION 20MM FLATBAR

CONTAINER:FOR KEEPING A SEED



MATERIAL USED
REUSE OF PAINT CONTAINER

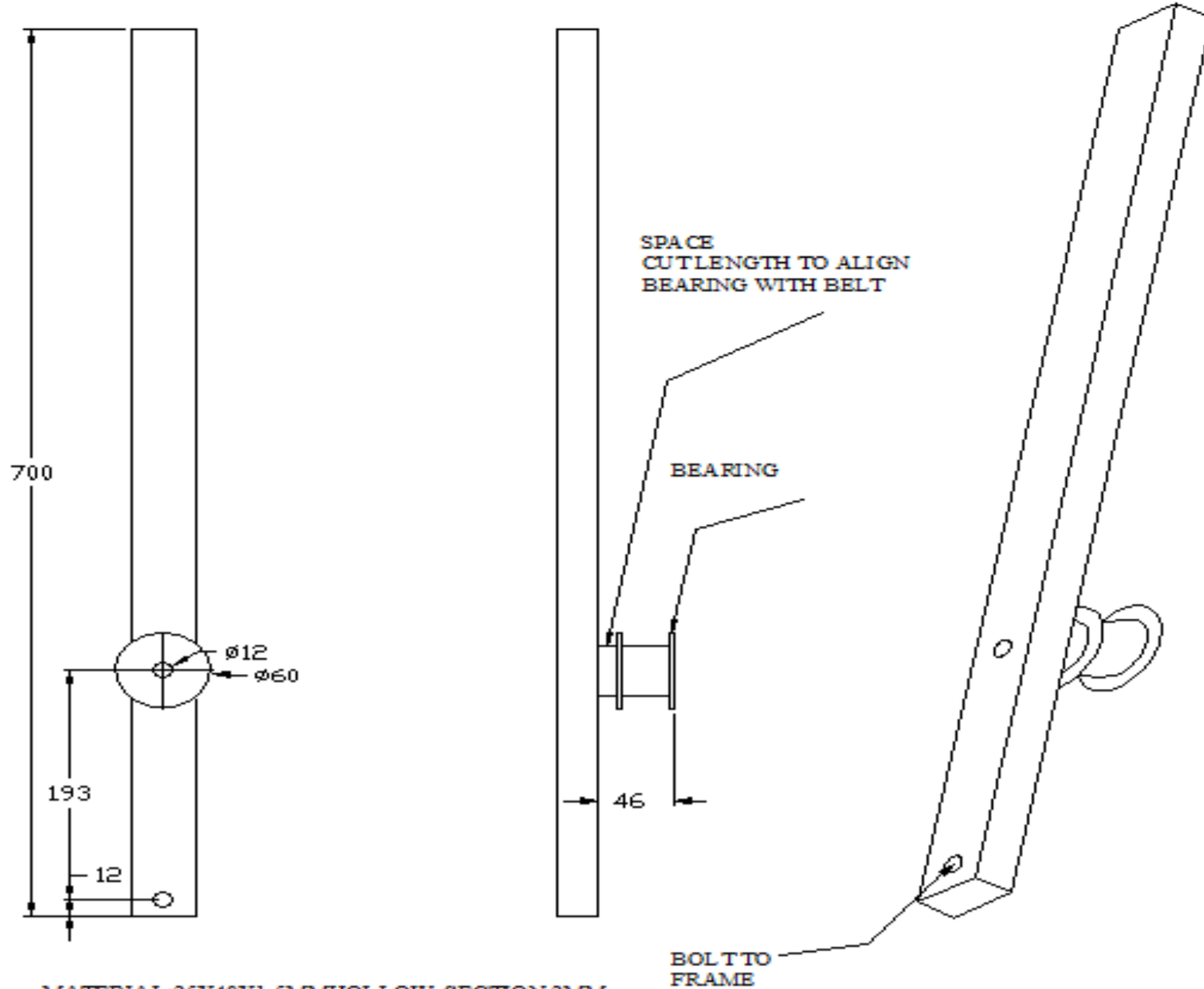
SEED METER STAND: BRACKETS



MATERIAL: 20MM FLAT BAR

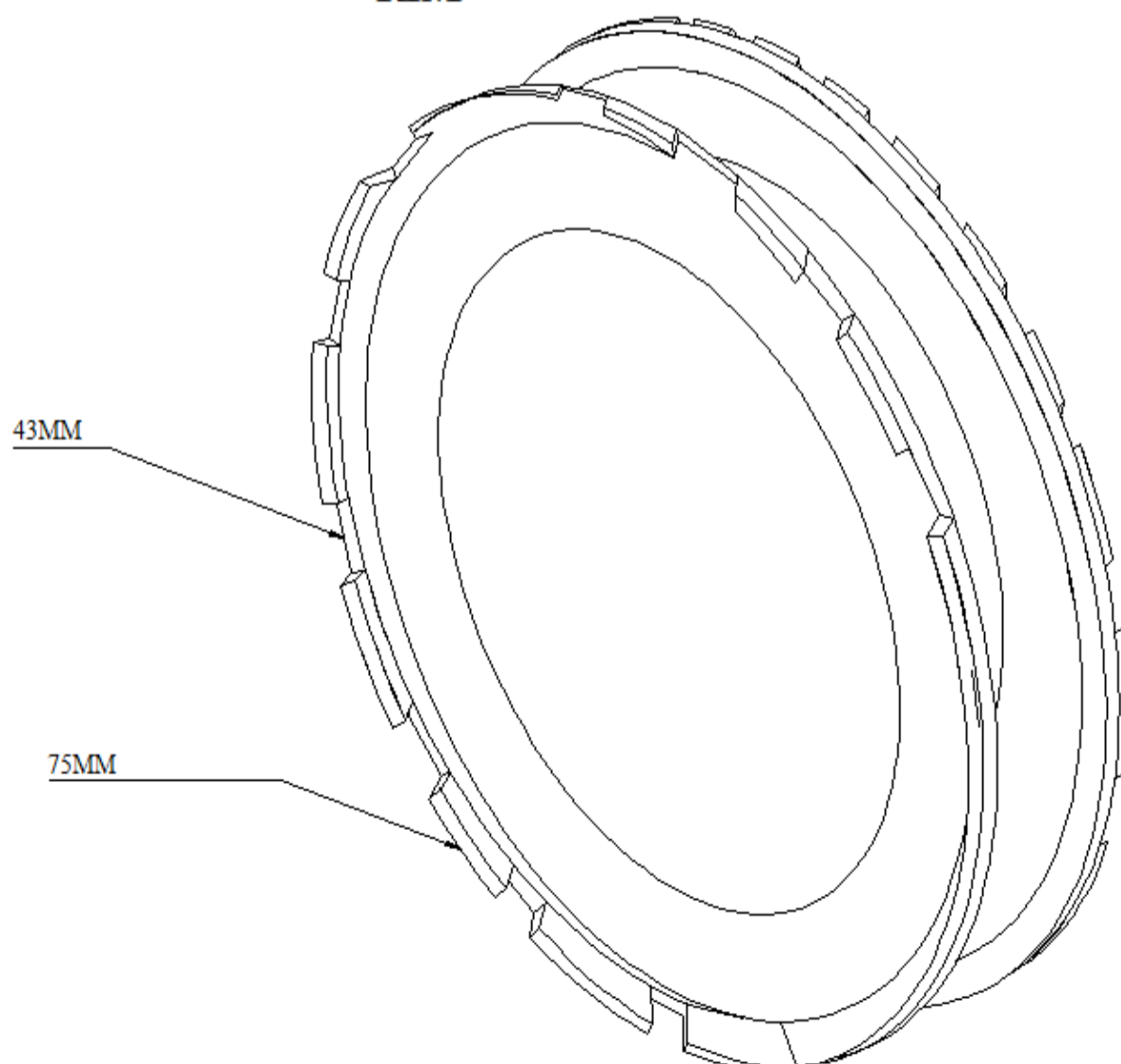
MAKE TWO OF THESE BRACKETS: ONE FOR EACH SEED/ FERTILIZER METER. BOLT TO SLIDER ON PREVIOUS PAGE. PLACE SEED METER SHAFT TIGHTLY INSIDE BRACKETS.

TENSIONER



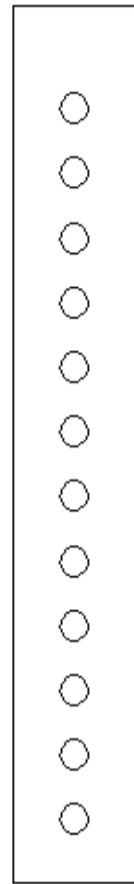
MATERIAL: 25X40X1.5MM HOLLOW SECTION 2MM SHEET METAL
PIPE: USED AS SPACER, DIMENSIONS UNIMPORTANT

RIM



MATERIAL: TYRE RIM OF 17 INCH DIAMETER, 5.5 INCH WIDTH (NOMINAL SIZE DOES NOT INCLUDE WHEEL LIP)
CUT OUT 43MM SEGMENTS 75MM APART ALONG THE CIRCUMFERENCE OF LIP

ADJUSTER

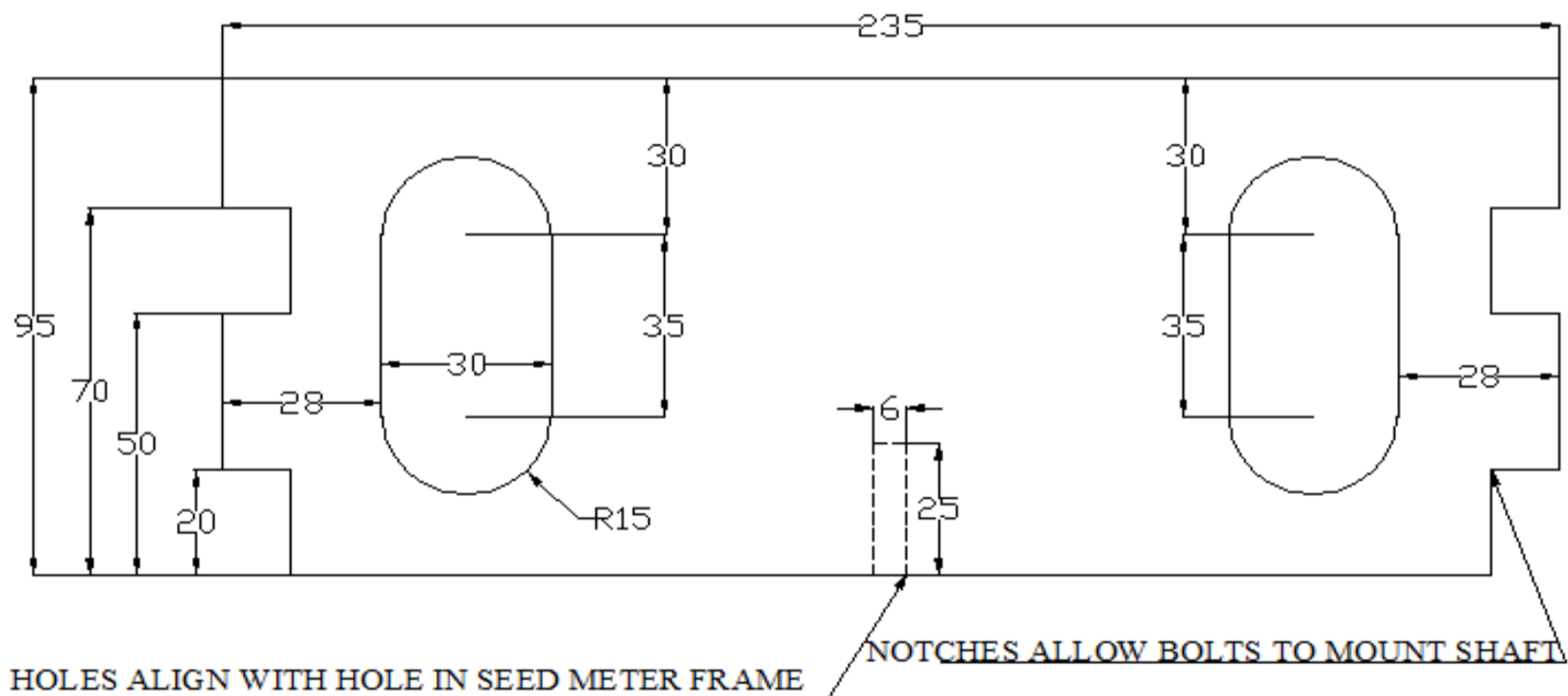


MATERIAL: 2MM SHEET METAL
FLAT BAR ALSO ACCEPTABLE

BAR CONNECTS FORK, FRAME TO CONTROL DEPTH OF THE
RIPPER.

MADE WITH 12 HOLES SPACED 25MM CENTRE TO CENTRE ALONG
A 340MM LONG STRIP

HOPPER PLANK



MATERIAL: WOOD, APPROXIMATELY 40MM THICK

TO COMPLETE HOPPER, CUT HOLE IN TWO
PAINT CANS AND SCREW TO PLANK

1) BELT DRIVE

- ❖ TWO PULLEY OF 30MM THICKNESS WITH GROOVE FOR BELT SIZE A
 - 68MM DIAMETER
 - 102MM DIAMETER
- ❖ BELT SIZE A -77
- ❖ RIM
 - DIAMETER
 - 17 INCH NOMINAL –DOES NOT INCLUDE WHEEL LIPS
 - 450 MM TOTAL- INCLUDE WHEEL LIPS
 - WIDTH
 - 5 ¼ INCH NOMINAL – DOES NOT INCLUDE WHEEL LIPS
 - 175 MM TOTAL- INCLUDE WHEEL LIPS

2) BOLT AND NUTS

BOLT AND NUTS THAT USED DEPEND ON SIZE OF HOLE DIAMETER THAT SPECIFIED